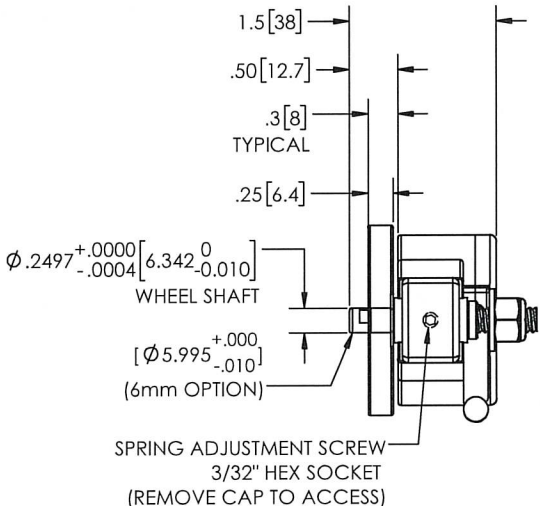
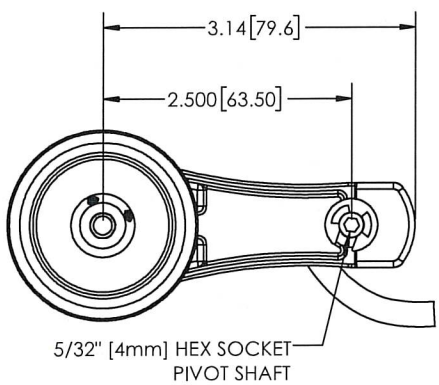
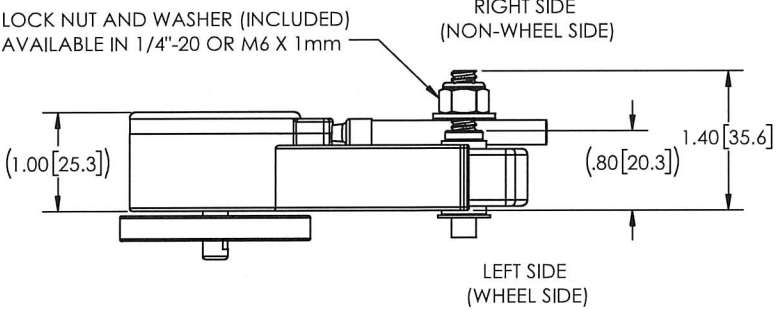
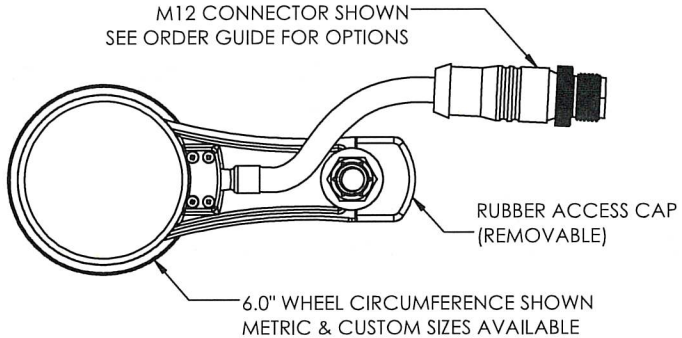


8 7 6 5 4 3 2 1

REVISIONS			
REV	DESCRIPTION	ECO#	DATE
A	INITIAL RELEASE	08933	3/6/25



THIRD ANGLE PROJECTION		APPROVALS		DATE	NAME AND TITLE	
		DRAWN	TP	10/15/2024	MODEL TRP (TRU-TRAC PRO)	
DIMENSIONS ARE IN INCHES		CHECKED			DWG. NO.	TRP-01
DATE	03/06/25	TOLERANCES			REV.	A
HEXI ASSEM.	-	DIGITAL	.XXX ± .005	RESP ENG		
PREV. ASSEM.	-	DECIMAL	.XX ± .01	MFG ENG		
PART NUMBER	-	ANGULAR	.X ± 1°	QUAL ENG	SCALE: NONE	DWG. SFE: B
						SHEET 1 OF 1

7 6 5 4 3 2 1