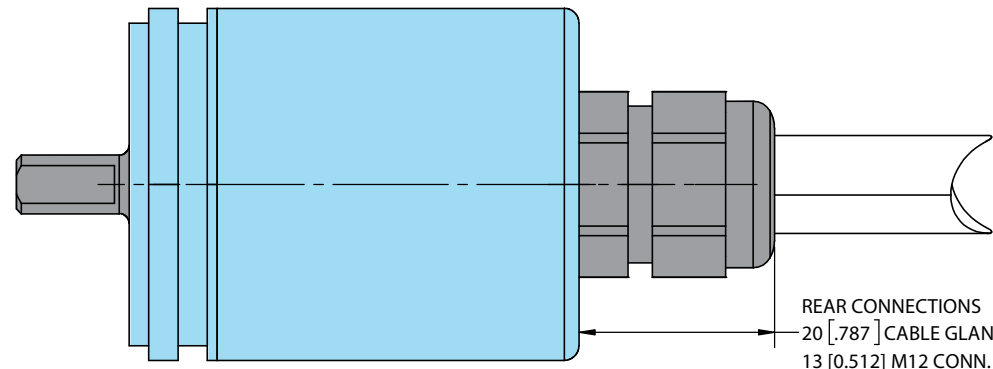
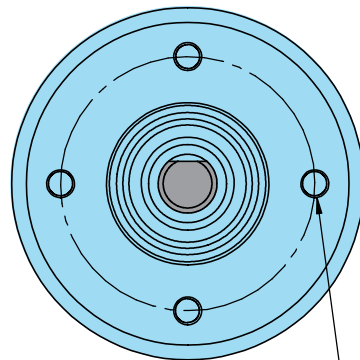
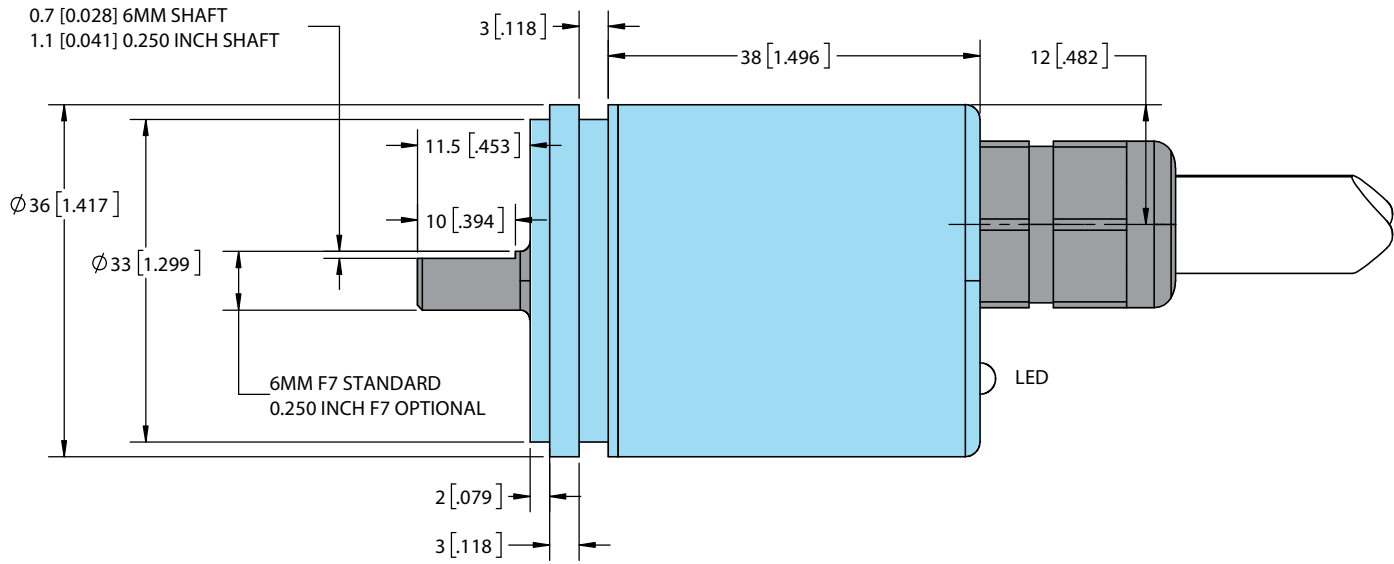


REVISIONS			
REV.	DESCRIPTION	APPR.	DATE
A	INITIAL RELEASE-JP	08200	1/17/2023



REAR CONNECTIONS
 20 [.787] CABLE GLAND NUT
 13 [0.512] M12 CONN.



M3x0.5-6H 6 [0.236] DEEP
 4X @ 90°
 Ø26 [1.024] B.C.

NOTES: UNLESS OTHERWISE SPECIFIED

- PRIMARY DIMENSIONS ARE IN MM, SECONDARY DIMENSIONS [INCHES] IN BRACKETS FOR REFERENCE ONLY.

THIRD ANGLE PROJECTION		APPROVALS		DATE		NAME AND TITLE	
		DRAWN	MJW	CHECKED	1/27/22	MODEL A365B 36MM SERVO MOUNT AXIAL EXIT	
ISSUE DATE:	1/17/2023	TOLERANCES	DECIMAL ± .13	RESP'NG		DWG. NO.	a36sb-servmb-axial
PREV. ASSEM.		DECIMAL	± .3	MFG ENG		REV.	A
PART NUMBER		ANGULAR	± 1	QUAL ENG		SCALE:	NONE
						DWG. SIZE:	B
						SHEET	1 OF 1

