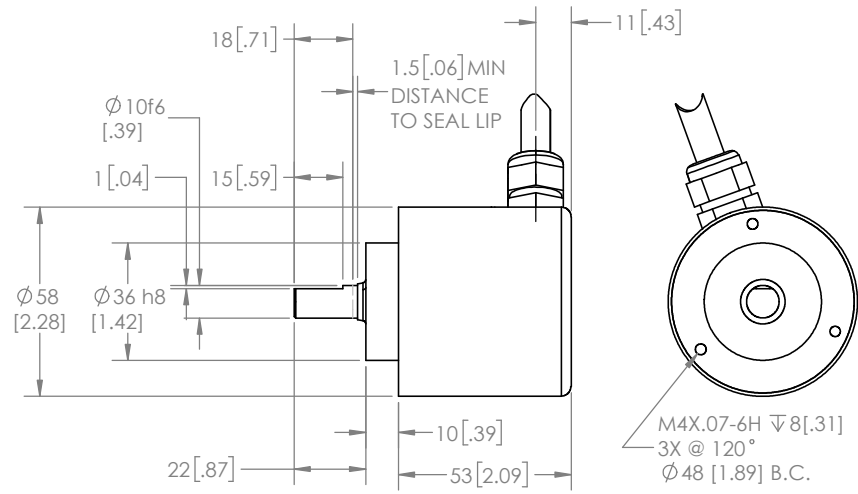


REVISIONS			
REV	DESCRIPTION	ECO#	DATE
A	INITIAL RELEASE- CATALG DRAWING	08928	03/12/25



THIRD ANGLE PROJECTION		APPROVALS		DATE		NAME AND TITLE	
		DRAWN	MAF	DATE	3/7/25	A58SBS STAINLESS STEEL	
DIMENSIONS ARE IN INCHES		CHECKED				DWG. NO. a58sbs-mhss-radial	
ISSUE DATE:	03/12/25	TOLERANCES	DECIMAL .XX±.005	RESP ENG		REV.	A
NEXT ASSEM.		DECIMAL .XX±.01	MFG ENG			SCALE: NONE DWG. SIZE: B SHEET 1 OF 1	
PART NUMBER	WDGASB100000L3K11*	ANGULAR	QUAL ENG				

ENCODER
 PRODUCTS COMPANY
www.encoder.com