

QUADRATURE PHASING AND INDEX GATING OPTIONS

Standard Quadrature Phasing -

A leads B during clockwise rotation when viewed from the shaft end or mounting face.

If your model is...	And your output type is...	And you need...	For number of channels enter...	For waveform see...
15, 25, 121, 260, TR1, TR2, TR3	OC, PU, HV, OD, LO, PP	Single channel only	A	Figure 1
		Quadrature A and B	Q	Figure 2
		Quadrature A and B with 180° index gated to A	R	Figure 3
		Quadrature A and B with 90° index gated to A and B	R3	Figure 4
		Quadrature A and B with inverted 180° index gated to A	R5	Figure 5
		Quadrature A and B with inverted 90° index gated to A and B	R7	Figure 6
755A, 702, 725, 758, 802S, 858S	HV, PP	Quadrature A and B with 180° index gated to A	R	Figure 3
		Quadrature A and B with 180° index gated to B	R2	Figure 7
		Quadrature A and B with 90° index gated to A and B	R3	Figure 4
		Quadrature A and B with ungated index centered on A between 360° and 180°	R4	Figure 8
		Quadrature A and B with inverted 180° index gated to A	R5	Figure 5
		Quadrature A and B with inverted 180° index gated to B	R6	Figure 9
		Quadrature A and B with inverted 90° index gated to A and B	R7	Figure 6
		Quadrature A and B with ungated inverted index centered on A between 360° and 180°	R8	Figure 10
755A, 702, 725, 758, 802S, 858S	OC, PU <i>Note: Interpolated units CPR>3000 will use HV/PP waveforms.</i>	Quadrature A and B with ungated index centered on A low between 360° and 180°	R	Figure 11
		Quadrature A and B with 180° index gated to B low	R2	Figure 12
		Quadrature A and B with 90° index gated to A low and B low	R3	Figure 13
		Quadrature A and B with ungated index centered on A low between 360° and 180°	R4	Figure 14
		Quadrature A and B with inverted 180° index gated to A low	R5	Figure 15
		Quadrature A and B with inverted 180° index gated to B low	R6	Figure 16
		Quadrature A and B with inverted 90° index gated to A low and B low	R7	Figure 17
		Quadrature A and B with ungated inverted index centered on A low between 360° and 180°	R8	Figure 18
770, 771, 775, 776, 865T	HV, PP	Quadrature A and B	Q	Figure 2
		Quadrature A and B with 180° index gated to A	R	Figure 3
		Quadrature A and B with 90° index gated to A and B	R3	Figure 4
		Quadrature A and B with inverted 180° index gated to A	R5	Figure 5
		Quadrature A and B with inverted 90° index gated to A and B	R7	Figure 6
770, 771, 775, 776, 865T	OC, PU	Quadrature A and B	Q	Figure 2
		Quadrature A and B with ungated index centered on A low between 360° and 180°	R	Figure 11
		Quadrature A and B with 90° index gated to A low and B low	R3	Figure 13

QUADRATURE PHASING AND INDEX GATING OPTIONS

Reverse Quadrature Phasing -

B leads A during clockwise rotation when viewed from the shaft end or mounting face.

If your model is...	And your output type is...	And you need...	For number of channels enter...	For waveform see...
15, 25, 121, 260, TR1, TR2, TR3	OC, PU, HV, OD, LO, PP	Reverse Quadrature A and B	K	Figure 19
		Reverse Quadrature A and B with 180° index gated to B low	D	Figure 20
		Reverse Quadrature A and B with 90° index gated to A low and B low	D3	Figure 21
		Reverse Quadrature A and B with inverted 180° index gated to B low	D5	Figure 22
		Reverse Quadrature A and B with inverted 90° index gated to A low and B low	D7	Figure 23
755A, 702, 725, 758, 802S, 858S	HV, PP	Reverse Quadrature A and B with 180° index gated to B low	D	Figure 20
		Reverse Quadrature A and B with 180° index gated to A low	D2	Figure 24
		Reverse Quadrature A and B with 90° index gated to A low and B low	D3	Figure 21
		Reverse Quadrature A and B with ungated index centered on B low between 360° and 180°	D4	Figure 25
		Reverse Quadrature A and B with inverted 180° index gated to B low	D5	Figure 22
		Reverse Quadrature A and B with inverted 180° index gated to A low	D6	Figure 26
		Reverse Quadrature A and B with inverted 90° index gated to A low and B low	D7	Figure 23
		Reverse Quadrature A and B with ungated inverted index centered on B low between 360° and 180°	D8	Figure 27
755A, 702, 725, 758, 802S, 858S	OC, PU <i>Note: Interpolated units CPR>3000 will use HV/PP waveforms.</i>	Reverse Quadrature A and B with ungated index centered on B low between 360° and 180°	D	Figure 28
		Reverse Quadrature A and B with 180° index gated to A low	D2	Figure 24
		Reverse Quadrature A and B with 90° index gated to A low and B low	D3	Figure 21
		Reverse Quadrature A and B with ungated index centered on B low between 360° and 180°	D4	Figure 25
		Reverse Quadrature A and B with inverted 180° index gated to B low	D5	Figure 22
		Reverse Quadrature A and B with inverted 180° index gated to A low	D6	Figure 26
		Reverse Quadrature A and B with inverted 90° index gated to A low and B low	D7	Figure 23
		Reverse Quadrature A and B with ungated inverted index centered on B low between 360° and 180°	D8	Figure 27
770, 771, 775, 776, 865T	HV, PP	Reverse Quadrature A and B	K	Figure 19
		Reverse Quadrature A and B with 180° index gated to B low	D	Figure 20
		Reverse Quadrature A and B with 90° index gated to A low and B low	D3	Figure 21
		Reverse Quadrature A and B with inverted 180° index gated to B low	D5	Figure 22
		Reverse Quadrature A and B with inverted 90° index gated to A low and B low	D7	Figure 23
770, 771, 775, 776, 865T	OC, PU	Reverse Quadrature A and B	K	Figure 19
		Reverse Quadrature A and B with 180° index gated to B low	D	Figure 20
		Reverse Quadrature A and B with 90° index gated to A low and B low	D3	Figure 21

WAVEFORM DIAGRAMS

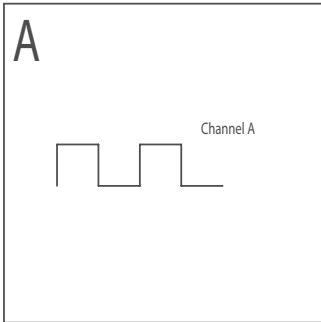


Figure 1: Single channel only

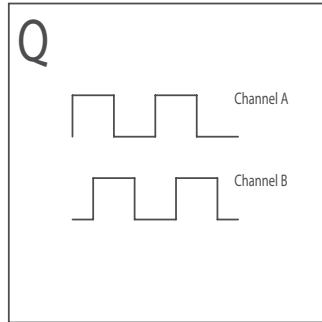


Figure 2: Quadrature A and B

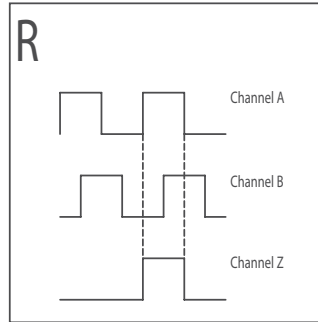


Figure 3: Quadrature A and B with 180° Index gated to A

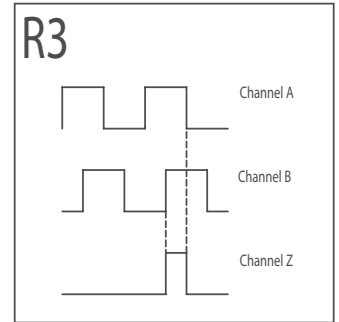


Figure 4: Quadrature A and B with 90° Index gated to A and B

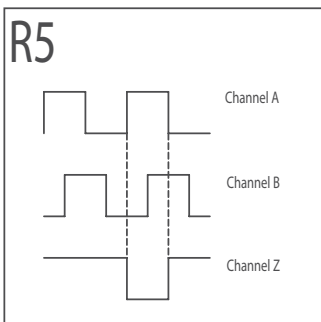


Figure 5: Quadrature A and B with inverted 180° Index gated to A

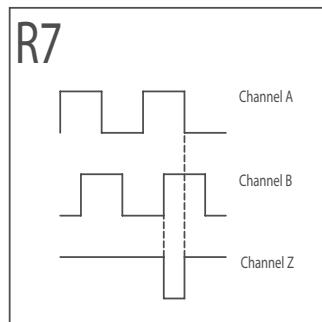


Figure 6: Quadrature A and B with inverted 90° Index gated to A and B

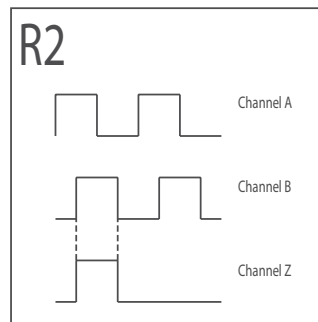


Figure 7: Quadrature A and B with 180° Index gated to B

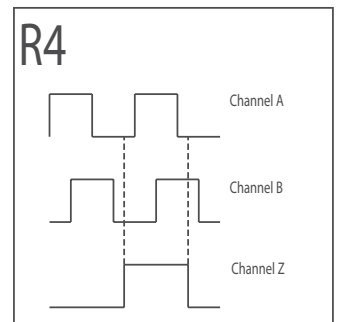


Figure 8: Quadrature A and B with ungated Index centered on A between 360° and 180°

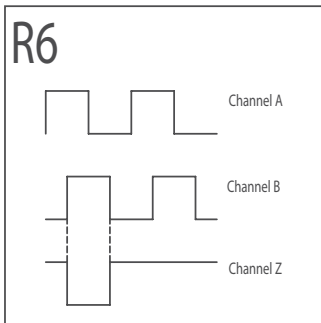


Figure 9: Quadrature A and B with inverted 180° Index gated to B

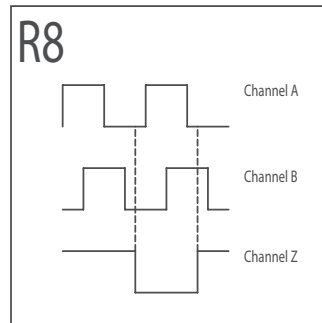


Figure 10: Quadrature A and B with ungated inverted Index centered on A between 360° and 180°

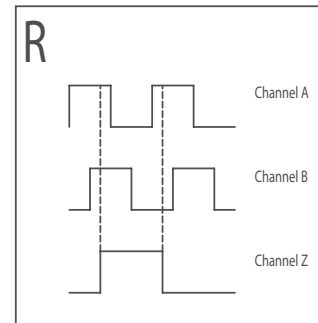


Figure 11: Quadrature A and B with ungated Index centered on A low between 360° and 180°

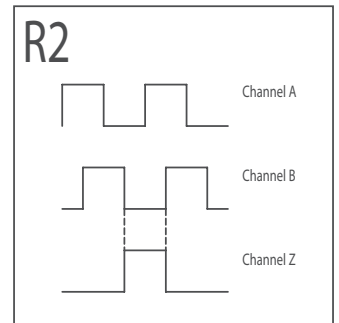


Figure 12: Quadrature A and B with 180° Index gated to B low

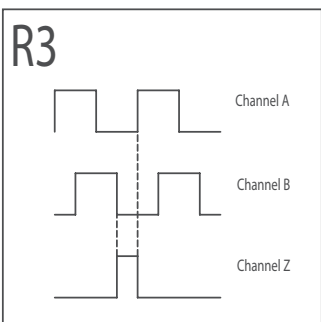


Figure 13: Quadrature A and B with 90° Index gated to A low and B low

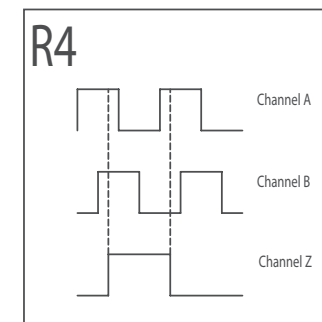


Figure 14: Quadrature A and B with ungated Index centered on A low between 360° and 180°

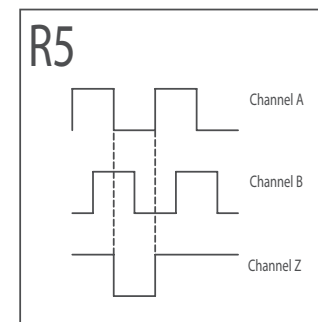


Figure 15: Quadrature A and B with inverted 180° Index gated to A low

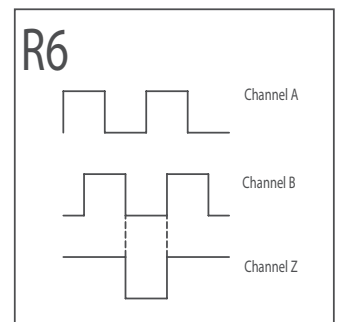


Figure 16: Quadrature A and B with inverted 180° Index gated to B low

WAVEFORM DIAGRAMS

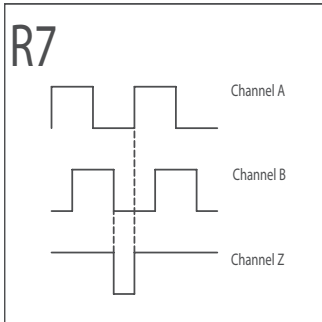


Figure 17: Quadrature A and B with inverted 90° Index gated to A low and B low

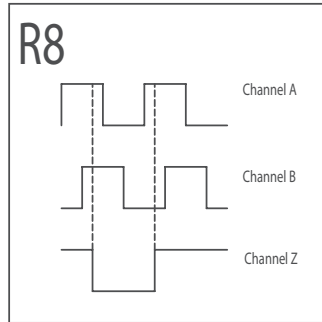


Figure 18: Quadrature A and B with ungated inverted Index centered on A low between 360° and 180°

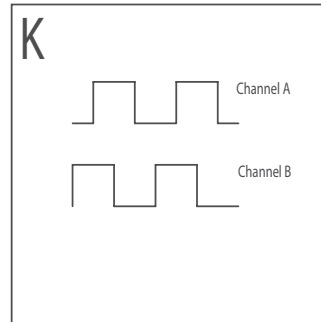


Figure 19: Reverse Quadrature A and B

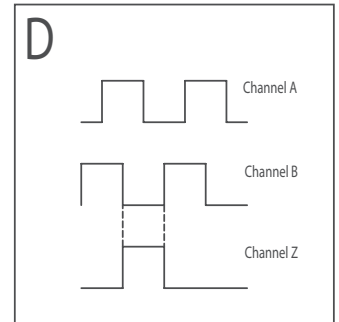


Figure 20: Reverse Quadrature A and B with 180° Index gated to B low

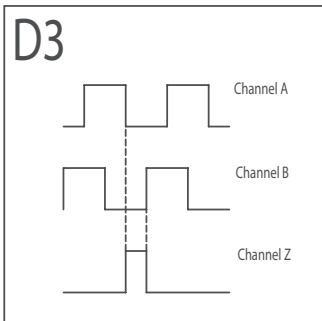


Figure 21: Reverse Quadrature A and B with 90° Index gated to A low and B low

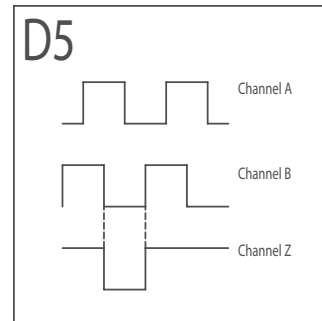


Figure 22: Reverse Quadrature A and B with inverted 180° Index gated to B low

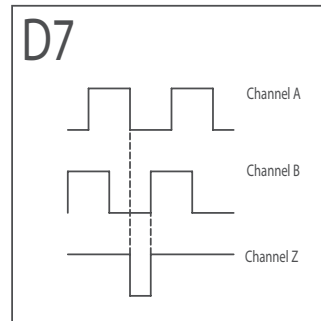


Figure 23: Reverse Quadrature A and B with inverted 90° Index gated to A low and B low

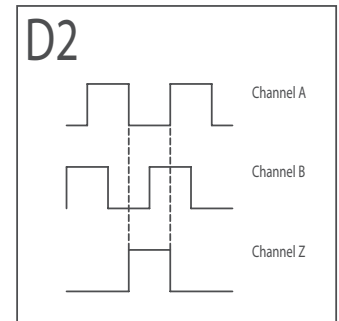


Figure 24: Reverse Quadrature A and B with 180° Index gated to A low

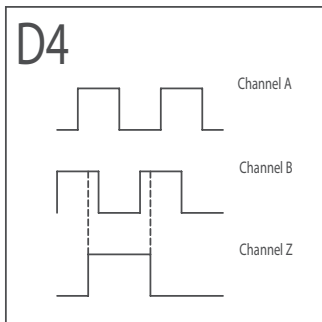


Figure 25: Reverse Quadrature A and B with ungated Index centered on B low between 360° and 180°

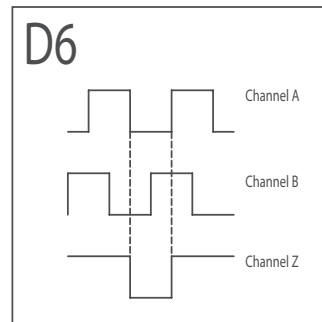


Figure 26: Reverse Quadrature A and B with inverted 180° Index gated to A low

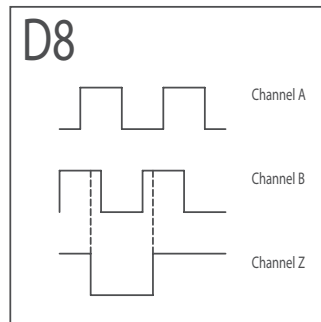


Figure 27: Reverse Quadrature A and B with ungated and inverted Index centered on B low between 360° and 180°

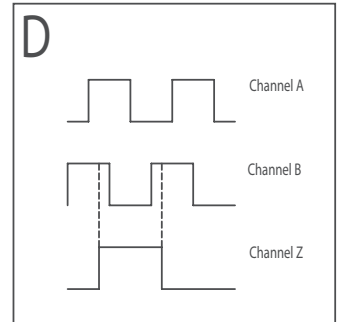


Figure 28: Reverse Quadrature A and B with ungated Index centered on B low between 360° and 180°

Call Sales & Customer Service at 800-366-5412

EPC is open for business from

8:00 am to 7:30 pm Eastern Time/ 5:00 am to 4:30 pm Pacific Time