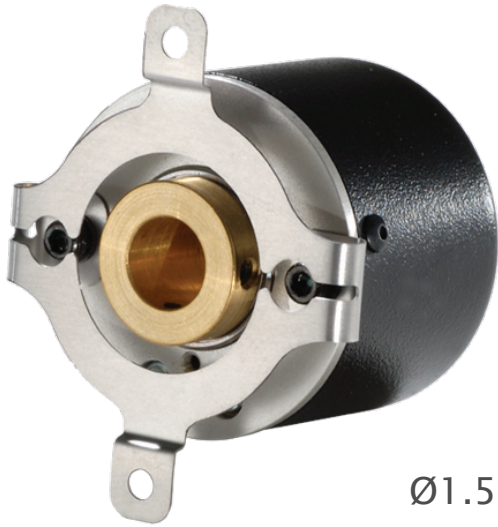


MODEL 755A - INCREMENTAL HOLLOW BORE



Ø1.5"

FEATURES

- Miniature Size (1.5" Diameter)
- Up to 30,000 Cycles Per Revolution
- Flex Mounting & Large Hollow Bore Option (up to 0.750")
- High Temperature Option

The Model 755A Size 15 Accu-Coder™ is ideal for applications requiring a small, high-precision, high-performance encoder. Approximately 1.5" in diameter and 1.5" long, it will fit where many encoders cannot. All metal construction and shielded ball bearings provide years of trouble-free use. A variety of blind hollow bore sizes are available with large bores allowing for shafts up to 0.750" or 14 mm. Attaching directly to a motor is quick and simple with the innovative flex mount, first developed by EPC. This industry-standard mount eliminates couplings and increases reliability, while reducing overall length and cost. Where critical alignment is required, a Slotted Flex (SF) is available. A perfect replacement encoder where high reliability is required.

COMMON APPLICATIONS

Robotics, Assembly Machines, Motor-Mounted Feedback, Phototypesetters, Printers & Digital Plotters, Elevator Controls, Medical Diagnostic Equipment

MODEL 755A ORDERING GUIDE

Blue type indicates price adder options. Not all configuration combinations may be available. Contact Customer Service for details.

755A	01	S	1000	R	HV	1	S	S	CE
MODEL 755A Model 755A			CYCLES PER REVOLUTION 1-30,000 See <i>CPR Options</i> below for available resolutions. Price adder for CPR >1270		OUTPUT TYPE 5 - 28V In/Out ⁴ OC Open Collector PU Pull-Up Resistor PP Push-Pull HV Line Driver 8-28V In/5V Out ^{5,6} H5 Line Driver P5 Push-Pull		MOUNTING S Standard Flex Mount SF Slotted Flex Mount		CERTIFICATION N None CE CE Marked ¹¹
		OPERATING TEMPERATURE L -40° to 70° C S 0° to 70° C H 0° to 100° C ²				MAXIMUM FREQUENCY 1 Standard 100 kHz 2 200 kHz 3 250 kHz, >3000 CPR 4 500 kHz, >6000 CPR ⁷ 5 1 MHz, >10,000 CPR ⁷		CONNECTOR TYPE⁸ S Standard 18" Cable ⁹ C01 8-pin Molex C02 Terminal Block J00 18" Cable with 5-pin M12 ¹⁰ K00 18" Cable with 8-pin M12 ¹⁰	
	BORE SIZES¹			NUMBER OF CHANNELS³					
	15 3/16", 0.1875" 16 4 mm 01 1/4", 0.250" 18 5 mm 03 5/16", 0.3125" 04 6 mm 02 3/8", 0.375" 14 8 mm 10 1/2", 0.500" 05 10 mm 11 5/8", 0.625" 12 12 mm 17 3/4", 0.750" 13 14 mm			A Channel A Channel A Leads B Q Quadrature A & B R Quadrature A & B with Index Channel B Leads A K Reverse Quadrature A & B D Reverse Quadrature A & B with Index					

MODEL 755A CPR OPTIONS

0001*	0002*	0004*	0005*	0006*	0007*	0008*	0010*	0011*
0012*	0014*	0020	0021*	0024*	0025*	0028*	0030*	0032*
0033*	0034*	0035*	0038*	0040*	0042*	0045*	0050*	0060
0064*	0100	0120	0125	0128*	0144*	0150*	0160*	0192*
0200	0240*	0250	0254*	0256*	0300	0333*	0360	0400
0500	0512	0600	0625*	0635	0665*	0720	0768*	0800
0889	0900*	1000	1024	1200	1201* ^a	1203* ^a	1204* ^a	1250 ^a
1270 ^a	1440	1500	1800	2000	2048	2400 ^a	2500	2540 ^a
2880 ^a	3000 ^a	3600 ^a	4000 ^a	4096 ^a	5000 ^a	6000 ^a	7200 ^a	7500 ^a
9000 ^a	10,000 ^a	10,240 ^a	12,000 ^a	12,500 ^a	14,400 ^a	15,000 ^a	18,000 ^a	
20,000 ^a	20,480 ^a	25,000 ^a	30,000 ^a					

*Contact Customer Service for High Temperature Option.

^aHigh Temperature Option (H) limited to 85° C maximum for these CPR options.

New CPR values are periodically added to those listed. Contact Customer Service to determine all currently available CPR values. Special disk resolutions are available upon request. A one-time NRE fee may apply.

NOTES:

- Contact Customer Service for additional options.
- 0° to 85° C for certain resolutions, see CPR Options.
- Contact Customer Service for index gating options.
- 24 VDC max for high temperature option.
- Standard temperature, 60 to 3000 CPR only.
- H5 and P5 outputs are not available with CE option.
- Standard cable lengths only. For details, please refer to **Technical Bulletin TB110: Noise and Signal Distortion Considerations** at www.encoder.com.
- For mating connectors, cables, and cordsets see Encoder Accessories on page 102 or visit www.encoder.com. For Pin Configuration Diagrams, see page 107 or visit www.encoder.com.
- For non-standard cable lengths, add a forward slash (/) plus cable length expressed in feet. Example: S/6 = 6 feet of cable.
- 5-pin not available with Line Driver (HV, H5) outputs. Additional cable lengths available. Please consult Customer Service.
- Please refer to **Technical Bulletin TB100: When to Choose the CE Mark**.

MODEL 755A SPECIFICATIONS

Electrical

Input Voltage.....	4.75 to 28VDC max for temperatures up to 70° C 4.75 to 24 VDC for temperatures between 70° and 100° C
Input Current	100 mA max with no output load
Input Ripple.....	100 mV peak-to-peak at 0 to 100 kHz
Output Format.....	Incremental – Two square waves in quadrature with channel A leading B for clockwise shaft rotation, as viewed from the encoder mounting face. See <i>Waveform Diagrams</i> .
Output Types.....	Open Collector – 100 mA max per channel Pull-Up – 100 mA max per channel Push-Pull – 20 mA max per channel Line Driver – 20 mA max per channel (Meets RS 422 at 5 VDC supply)
Index.....	Occurs once per revolution. The index for units > 3000 CPR is 90° gated to Outputs A and B. See <i>Waveform Diagrams</i> .
Max Frequency	Up to 1 MHz
Noise Immunity.....	Tested to BS EN61000-4-2; IEC801-3; BS EN61000-4-4; DDENV 50141; DDENV 50204; BS EN55022 (with European compliance option); BS EN61000-6-2; BS EN50081-2
Symmetry.....	1 to 6000 CPR: 180° (±18°) electrical at 100 kHz output 6001 to 20,480 CPR: 180° (±36°) electrical
Quad Phasing.....	1 to 6000 CPR: 90° (±22.5°) electrical at 100 kHz output 6001 to 20,480 CPR: 90° (±36°)
Min Edge Sep.....	1 to 6000 CPR: 67.5° electrical at 100 kHz output 6001 to 20,480 CPR: 54° electrical > 20,480 CPR: 50° electrical
Rise Time.....	Less than 1 microsecond
Accuracy.....	Instrument and Quadrature Error: For 200 to 1999 CPR, 0.017° mechanical (1.0 arc minutes) from one cycle to any other cycle. For 2000 to 3000 CPR, 0.01° mechanical (0.6 arc minutes) from one cycle to any other cycle. Interpolation error (units > 3000 CPR only) within 0.005° mechanical. (Total Optical Encoder Error = Instrument + Quadrature + Interpolation)

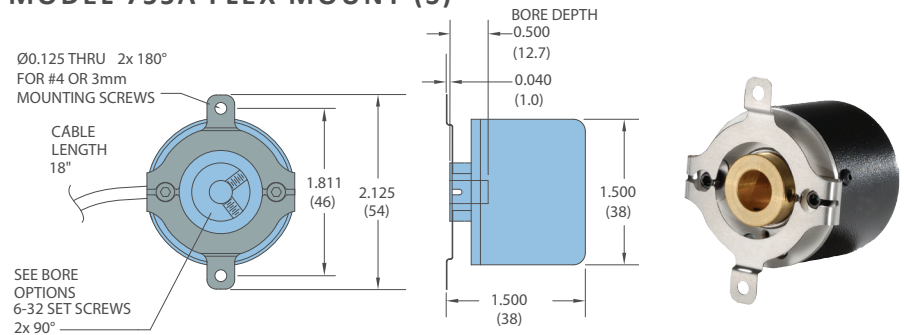
Mechanical

Max Shaft Speed.....	7500 RPM. Higher shaft speeds may be achievable, contact Customer Service.
Bore Tolerance	-0.0000" / +0.0006"
User Shaft Tolerances	
Radial Runout	0.007" max
Axial End Play.....	±0.030" max
Starting Torque	0.14 oz-in typical 4.0 oz-in typical for -40° C operation
Moment of Inertia ...	2.8 x 10 ⁻⁴ oz-in-sec ²
Max Acceleration.....	1 x 10 ⁵ rad/sec ²
Housing	Black non-corrosive finish
Bearings.....	Precision ABEC ball bearings
Weight.....	3.50 oz typical

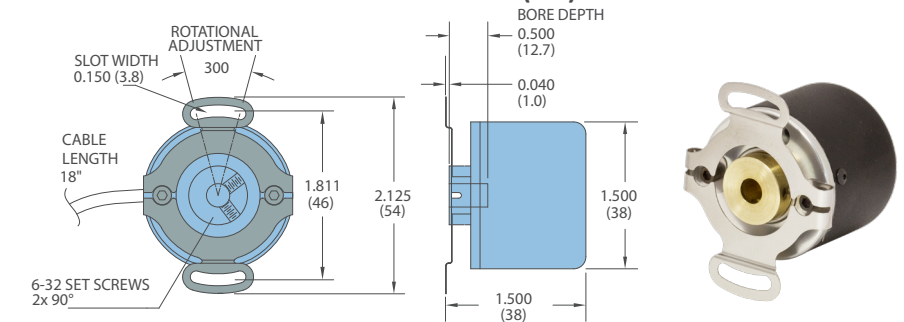
Environmental

Storage Temp	-25° to 85° C
Humidity.....	98% RH non-condensing
Vibration.....	10 g @ 58 to 500 Hz
Shock.....	50 g @ 11 ms duration

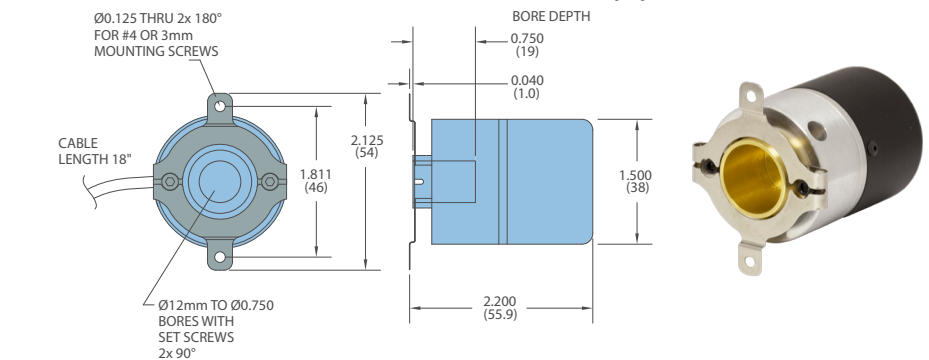
MODEL 755A FLEX MOUNT (S)



OPTIONAL SLOTTED FLEX MOUNT (SF)

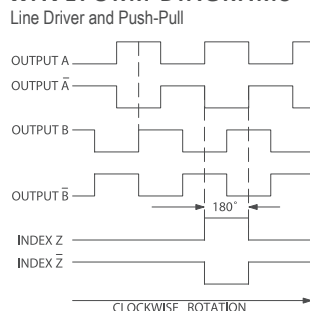


MODEL 755A LARGE BORE FLEX MOUNT (S)



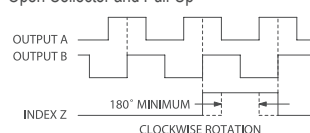
All dimensions are in inches with a tolerance of +0.005" or +0.01" unless otherwise specified. Metric dimensions are given in brackets [mm].

WAVEFORM DIAGRAMS



NOTE: ALL DEGREE REFERENCES ARE ELECTRICAL DEGREES. WAVEFORM SHOWN WITH OPTIONAL COMPLEMENTARY SIGNALS \bar{A} , \bar{B} , \bar{Z} FOR HV OUTPUT ONLY.

Open Collector and Pull-Up



NOTE: ALL DEGREE REFERENCES ARE ELECTRICAL DEGREES. INDEX IS POSITIVE GOING.

WIRING TABLE

Function	Cable† Wire Color	Terminal Block	8-pin Molex	5-pin M12**	8-pin M12**
Com	Black	7	2	3	7
+VDC	White	8	1	1	2
A	Brown	1	8	4	1
A'	Yellow	2	7	--	3
B	Red	3	4	2	4
B'	Green	4	3	--	5
Z	Orange	6	6	5	6
Z'	Blue	5	5	--	8
Shield	Bare*	--	--	--	--

*CE Option: Cable shield (bare wire) is connected to internal case.

CE Option: Read **Technical Bulletin TB-111: M12 (12 mm) Connector Option. Available at encoder.com.

†Standard cable is 24 AWG conductors with foil and braid shield.