

Model 225 Flex Arm Kit Installation Instructions

Parts and tools required

#1 Phillips head screw driver, Model 225 Mounting Option (F) or accessory kit #140106-01. Kit includes (1) Flex Arm Bracket, (2) #2 flat washers, (2) 2-56 x 3/8" long pan head Phillips screws, (2) 2-56 x 5/8" long pan head Phillips screws.



NOTE: For details on the flex arm's mounting bolt pattern capabilities, please see the drawings for the Flex Mount Kit in the Model 225 Datasheet, or contact Customer Service at 1-800-366-5412.

Installation for larger bolt patterns (upward orientation)

STEP 1: Remove two of the four cover screws from the desired end of the encoder.

STEP 2: Install the flex arm onto the encoder using the two supplied washers and two appropriate length screws. Use the shorter screws for a standard cable encoder. Use the longer screws for any of the connector option encoders with the taller cover.

NOTE: The flex arm has slotted mounting holes to accommodate a range of axial mounting positions. Installing the flex mount as close to the encoder as possible will work for most applications and ensures that the flex is installed square to the encoder.



Installation for smaller bolt patterns (downward orientation)

STEP 1: Attach flex arm to the mounting surface, tightening the mounting bolt just tight enough to hold it in place but loose enough so that it can still be adjusted by hand.

STEP 2: Remove two out of four cover screws from the end of the encoder that will face the mounting surface.

STEP 3: Slide the Model 225 onto the shaft and position it under the flex arm.

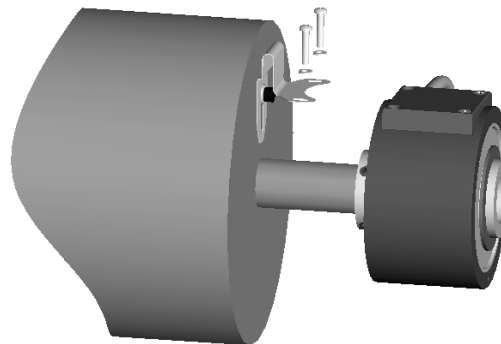
STEP 4: Adjust the flex arm so that it rests flush with the encoder cover and the slots in the flex mount line up with the two vacated holes.

STEP 5: While making sure not to disturb the position of the flex mount, slide encoder off the shaft and tighten the mounting bolt firmly.

STEP 6: Slide the encoder back onto the shaft and adjust to the desired axial position.

STEP 7: Tighten the two encoder set screws onto the shaft.

STEP 8: Attach the flex arm to the encoder using the two supplied washers and two appropriate length screws. Use the shorter screws for a standard cable encoder. Use the longer screws for any of the connector option encoders with the taller cover.



TB-520.doc, Rev -, 11/22/05