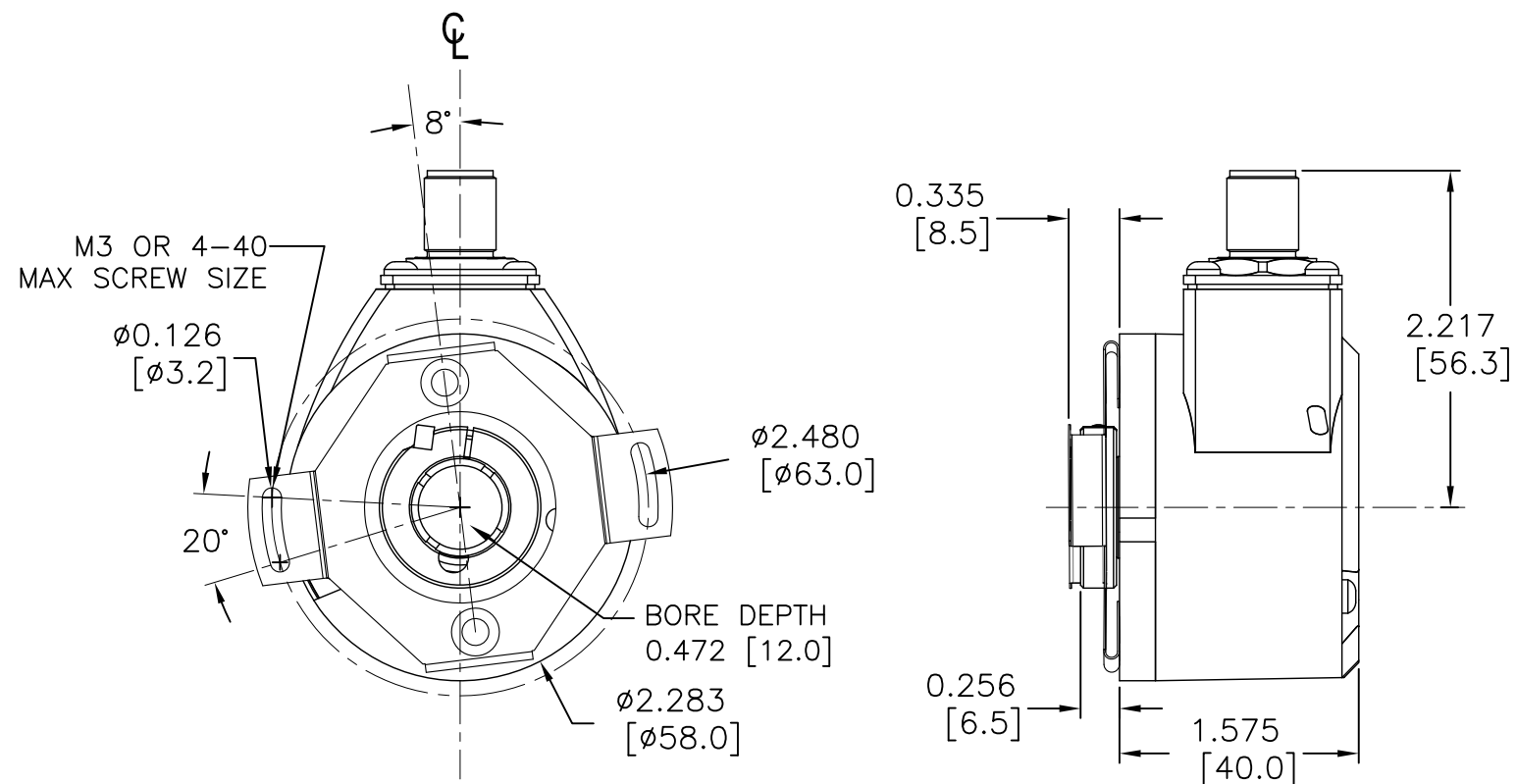



REVISIONS		
REV	DESCRIPTION	DATE
01	PROTOTYPE RELEASE	03/03/17



THIRD ANGLE PROJECTION				www.encoder.com	
DIMENSIONS ARE IN INCHES		APPROVALS	DATE	NAME AND TITLE	
ISSUE DATE	TOLERANCES	DRAWN	CHECKED	MA/SA 58H ABSOLUTE	
03/16/17	DECIMAL ± .005	GMA	03/03/2017	DWG NUMBER	
NEXT ASSEM.	DECIMAL ± .01	RESP ENG		58H-FLEX2	
PREV. ASSEM.	ANGULAR ± .1°	MFG ENG		DWG SIZE	REV.
PART NUMBER		QUAL ENG		B	01
				SCALE	SHEET 1 OF 1
				NONE	