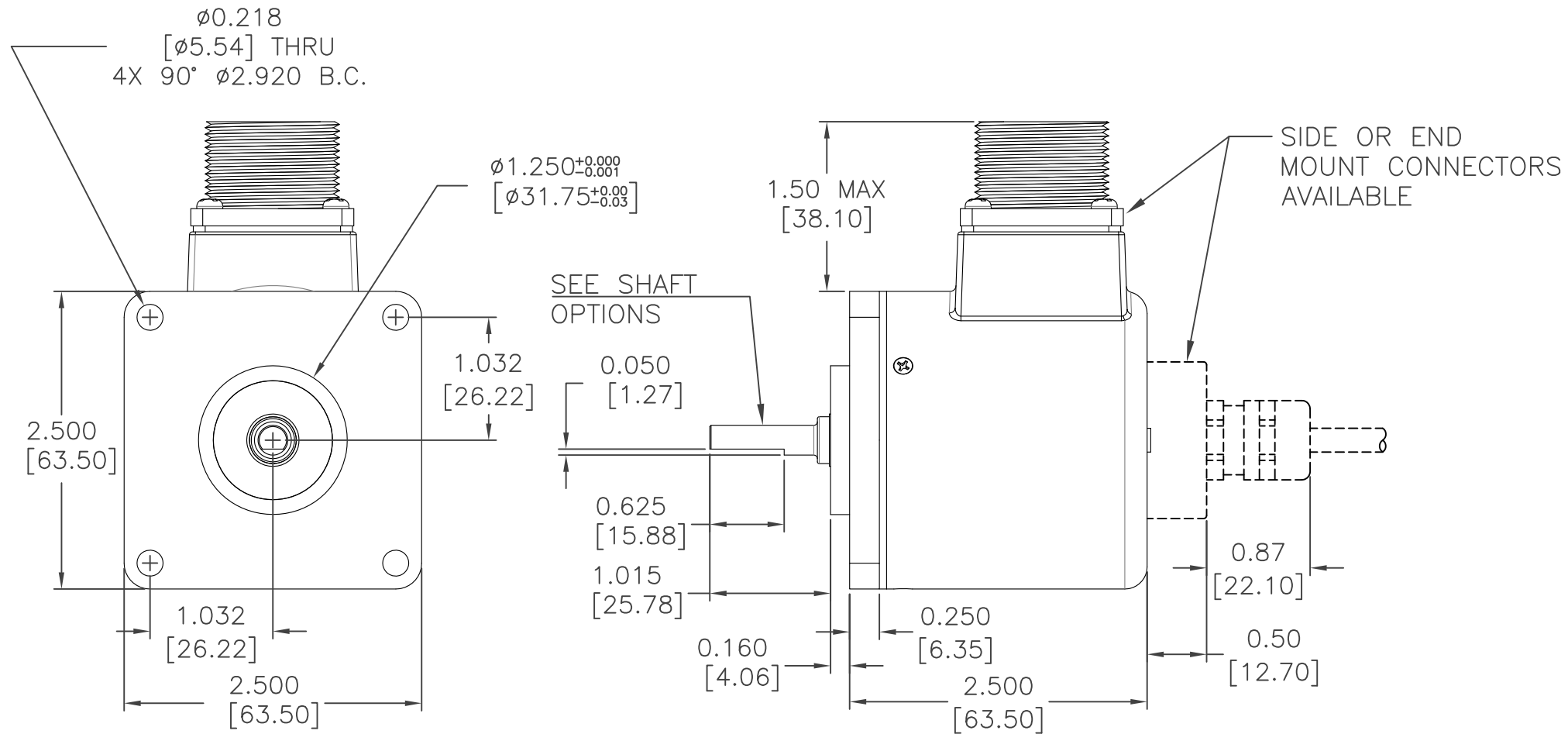


REVISIONS		
REV	DESCRIPTION	DATE
01	REDLINE RELEASE	06/30/16
02	CHANGED DIMENSION 0.290 TO 2.920	12/02/16



THIRD ANGLE PROJECTION		ENCODER PRODUCTS COMPANY		www.encoder.com	
DIMENSIONS ARE IN INCHES		APPROVALS	DATE	NAME AND TITLE	
ISSUE DATE	TOLERANCES	DRAWN	GMA	6/24/2016	MODEL 25SP FLANGE MOUNT
06/30/16	DECIMAL ± .005	CHECKED			
NEXT ASSEM.	DECIMAL ± .01	RESP ENG			DWG NUMBER
PREV. ASSEM.	DECIMAL ± .01	MFG ENG			25SP-MA
PART NUMBER	ANGULAR ± .1°	QUAL ENG			REV. 02
		DWG SIZE	B	SCALE	NONE
				SHEET	1 OF 1