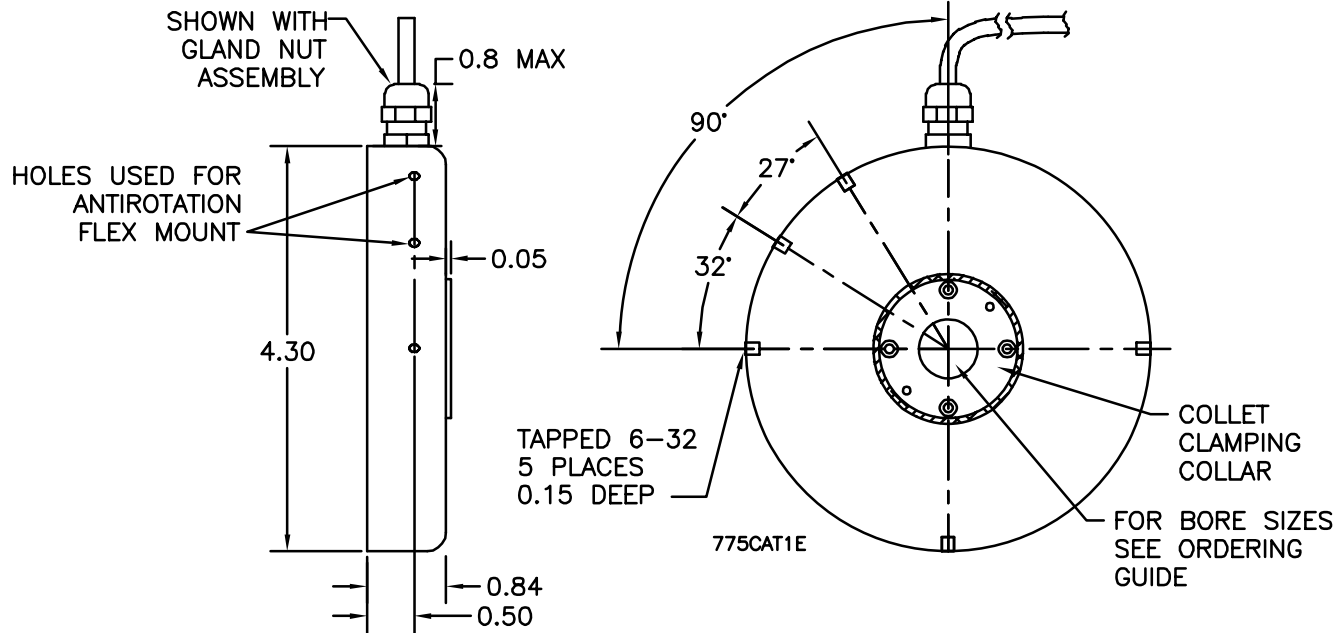



REVISIONS					
LTR	DESCRIPTION	CHK	DATE	APPR	DATE
2	INITIAL CATALOG RELEASE				
A	1999 CATALOG RELEASE				
B	SEE ECO 00688				
C	SEE ECO 01020				
D	SEE ECO 01185				
E	ECO 01567 BSR 9/17/02				



ISSUE DATE	TOLERANCE	 ENCODER PRODUCTS COMPANY			
NEXT ASSEMBLY	DECIMAL ±.005	INITIAL	DATE	NAME AND TITLE	
PREV ASSEMBLY	DECIMAL ±.01	DR	GDB 3/28/99	MODEL 775 CUSTOMER DRAWING	
PART NUMBER	ANGULAR ±.1°	CK		DWG NUMBER	
		QC		775CAT1	
		MFG		REV.	E
		PU ENG		DWG SIZE	SCALE
				SHEET	OF